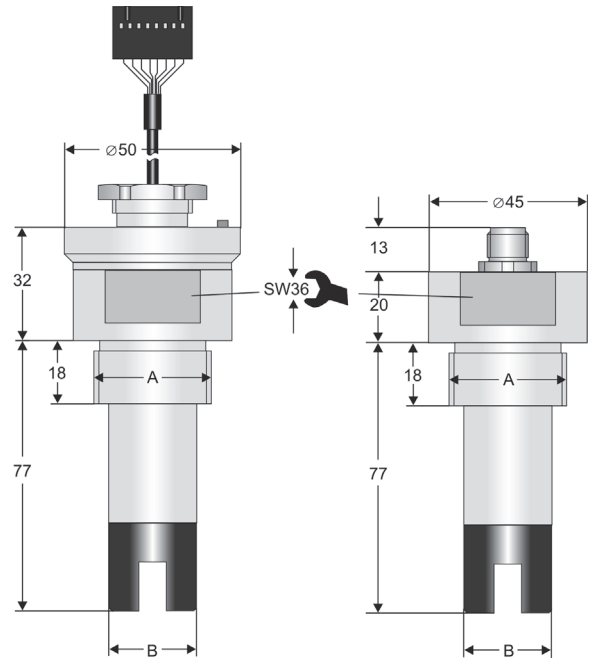


Product Information

Conductivity Cell LF3623 / LF4623



Dimensions



LF3623
 for head mounting UNICON-LF

LF4623
 for field mounting

Characteristics

- 4-electrode screw-in cell; pipe thread acc. to DIN ISO 228
- Measuring range 0..20 µS/cm up to 0..500 mS/cm
- Insensitive against soiling
- No influence from polarization effects and line resistance

Technical data

Cell constant : C = 0.5 exact cell constant labeled on the type plate
 Process temperature : -10..+120 °C
 Process pressure : max. 16 bar
 Process connection : pipe thread acc. to DIN ISO228
 Process material : PVDF, casting resin, graphite (electrodes)
 Electrical connection
 LF3623 : flat cable connector, only head mounting UNICON-LF
 LF4623 : 8 pole round connector plug M12x1, IP67
 -Material : brass nickel plated
 Temperature measurement : integrated Pt1000 sensor DIN IEC751, class A

Process connection

A	BØ [mm]
G ¾A	23,5
G 1 A	25

Ordering code

1. 2. 3.
 LF - C0.5 - -

1. Model	
3623	head mounting UNICON-LF
4623	field mounting
2. Process connection A	
G ¾A	
G 1 A	
3. Options	
00	without option
03	8 pole round plug SS-type